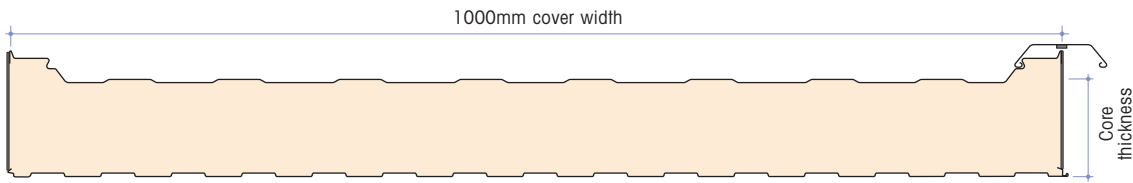


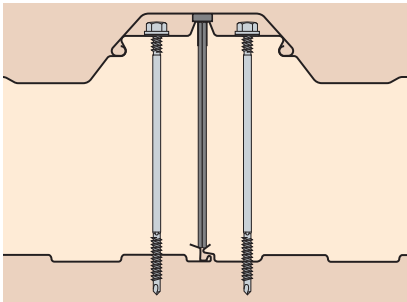
Insulated lo-pitch roof panel system - KS1000 LP



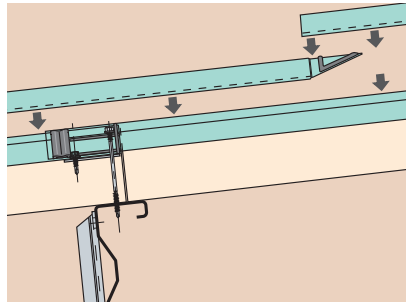
Core thickness (mm)	45	60*	80	100
R-Value (m ² K/W)	2.49	3.25	4.25	5.25
Weight kg/m ² 0.5/0.4 steel	9.5	10.1	10.9	11.4

*60mm thickness can be used on the roof to comply with Section J thermal regulations climate zones 1-7

KS1000 LP Side Joint



KS1000 LP End Lap - Steel



Deflection Ratio

Downwards = Span/200 Suction = Span/150

Unfactored Load/Span Table (Use calculated design windload values unfactored)

SPAN CONDITION	Core Thickness (mm)	Load Type	Uniformly Distributed Loads (kN/m ²) Span L in Metres						
			1.0	1.5	2.0	2.5	3.0	3.5	4.0
SINGLE SPAN Outer Sheet 0.5mm steel Inner Sheet 0.4mm steel ▲ L	45	Downwards	4.69	2.63	1.61	1.03	0.67	0.45	-
		Suction	6.47	3.73	2.37	1.59	1.12	0.82	-
	60	Downwards	6.52	3.81	2.43	1.62	1.11	0.78	0.55
		Suction	8.91	5.30	3.45	2.38	1.70	1.25	0.95
	80	Downwards	9.07	5.50	3.66	2.56	1.84	1.36	1.03
		Suction	12.10	7.33	4.88	3.41	2.46	1.82	1.38
	100	Downwards	11.45	7.02	4.74	3.35	2.44	1.81	1.37
		Suction	15.48	9.58	6.53	4.68	3.47	2.63	2.04
DOUBLE SPAN Outer Sheet 0.5mm steel Inner Sheet 0.4mm steel ▲ L ▲ L	45	Downwards	4.81	2.87	1.91	1.34	0.97	0.72	0.53
		Suction	6.64	4.05	2.76	2.00	1.51	1.17	0.93
	60	Downwards	6.63	4.04	2.74	1.97	1.47	1.12	0.86
		Suction	9.06	5.60	3.87	2.85	2.18	1.71	1.37
	80	Downwards	9.17	5.71	3.97	2.94	2.26	1.78	1.43
		Suction	12.22	7.61	5.30	3.92	3.01	2.37	1.90
	100	Downwards	11.53	7.21	5.04	3.74	2.88	2.28	1.83
		Suction	15.59	9.84	6.94	5.21	4.06	3.25	2.66

For further technical information, please contact Kingspan Technical Services on 1300 799 594.